



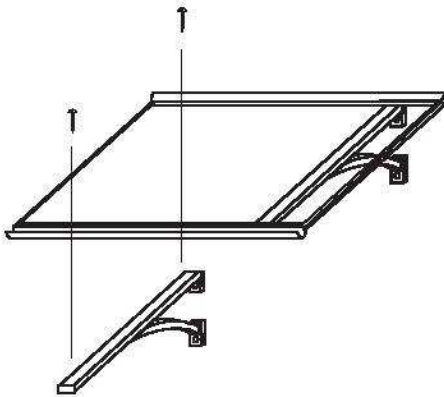


ASSEMBLY INSTRUCTION OF CANOPY 120/160

Elements of the canopy

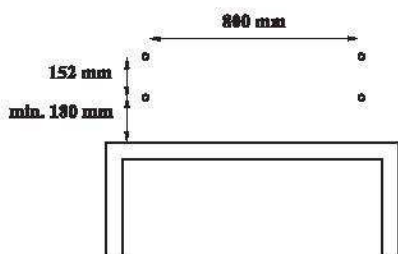
Picture	Quantity	Name
	4	stainless steel screw 4,8 x 19 mm
	4	wall plug \varnothing 12mm with galvanized screw with hexagon turnkey 13mm Technical approval number AT-15-6227/2004
	1	Canopy
	2	canopy supports



Folding of the canopy

1. Remove the protective foil of polycarbonate (bottom part of the canopy).
2. Remove the protective foil from the self-adhesive foam fixed to the supports.
3. With screws 4.8 x 19 mm attach the supports to the canopy.

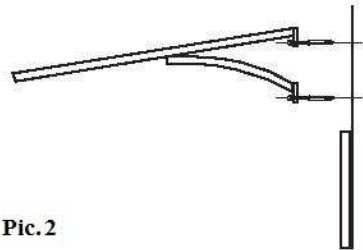
Assembly instruction of the canopy



Pic.1

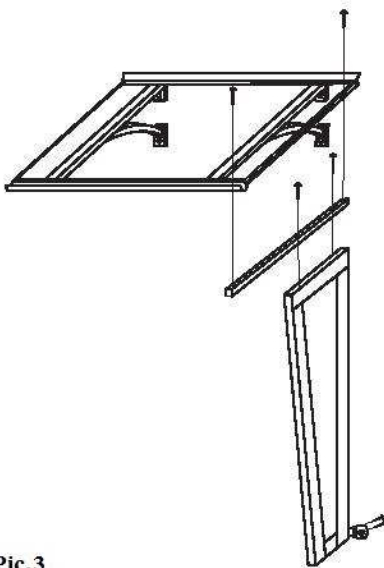
1. (after arranging the holes on the wall it is recommended to apply the canopy and correct eventually inaccurate measurement)

Bore holes in the wall using a hammer drill and drill bit \varnothing 12 mm.



Pic.2

2. In the drilled holes put the wall plugs and screw the canopy to the walls of the building.



Pic.3

Assembling of the side panel

1. With the screws 4.8 x 19 mm screw the bottom mounting bracket to the side panel.
2. With the screws 4.8 x 45 mm screw the connection profile to the side panel.
3. Try to fit the side panel to the canopy.
4. Perform holes with a drill \varnothing 4 mm in the drain profile and wall profile, so that the drill makes the holes also into the connecting profile.
5. In created holes in the screws 4.8 x 25 mm, causing connection of the side panel with the canopy.

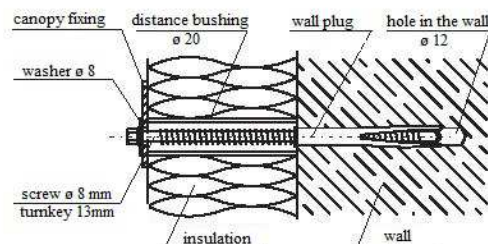
Note 1:

Wall plug for mechanical fixing building elements should be used only for the following types of homogeneous ground: normal concrete, ceramic brick, cellular concrete.

Any coat of a thermal insulation is not a layer medium for the wall plug and it cannot be background for it.

The thickness of the insulation must be taken into account when choosing the length of the screw.

Example installation on the wall insulated with a layer of polystyrene foam - see the picture beside.



Note 2:

Snow and ice needs to be regularly removed.

The canopy is not resistant to snow layers falling from large heights, ice blocks, icicles etc.

CARE OF THE CANOPY

Clean with a soft cloth or sponge, using a mild detergent.